

0CNP3-M72400EN

SPECIFICATIONS

Model	YBE455	YBE575
Engine Model	M45D	M57D
Engine Type	Air cooled two cycle gasoline engine	
Displacement [cm ³ (cc)]	44.8	56.5
Maximum output [kW(PS)/rpm]	1.8/2.44/7500	2.2/2.99/7500
Carburetor	All position diaphragm carburetor	
Ignition system	Flywheel magneto (Transistor)	
Starting system	Recoil starter (Manual decomp.)	
Driving system	Automatic centrifugal clutch	
Fuel	Mixing regular gasoline and oil (Gasoline 25~30 : Oil 1)	
	50 : 1 (JASO FC Class Oil)	
Fuel tank capacity (ℓ)	0.8	1.0
Shaft	Straight	
Handle	Bike	
Blade(Grass cutting)	3 tooth Knife Blade φ 300	
Blade(Bush, Small wood)	Circular Saw φ 200 × 80T	
Nylon line head	Option	
Dimensions(L × W × H) (mm/Bike)	1748 × 650 × 455	1749 × 650 × 455
Dry weight(Without cutter) (Witht shoulder hand) (kg)	10.6	

NOTE : Given specifications may be altered for improvement, etc. without prior notice.

SPECIFICATIONS

Model	YBE455P
Engine Type	Air cooled two cycle gasoline engine
Displacement [cm ³ (cc)]	44.8
Maximum output [kW(PS)/rpm]	1.8/2.44/7500
Carburetor	All position diaphragm carburetor
Ignition system	Flywheel magneto (Transistor)
Starting system	Recoil starter (Manual decomp.)
Driving system	Automatic centrifugal clutch
Fuel	Mixing regular gasoline and oil (Gasoline 25~30 : Oil 1)
	50 : 1 (JASO FC Class Oil)
Fuel tank capacity (ℓ)	0.8
Shaft	Straight (Solid)
Blade(Grass cutting)	3 tooth Knife Blade φ 300
Blade(Bush, Small wood)	Circular Saw φ 200 × 80T
Dimensions(L × W × H) (mm/Bike)	1748 × 650 × 455
Dry weight(without cutter) (with shoulder band) (kg)	10.6

Contents

Fig. No. Fig. Name

(YBE455RD)

1. ENGINE UNIT (YBE455RD)
2. BRUSH CUTER (YBE455RD)

(YBE575P)

3. ENGINE UNIT (YBE575P)
4. BRUSH CUTER (YBE575P)

(YBE455P)

5. ENGINE UNIT (YBE455P)
6. BRUSH CUTER (YBE455P)

Fig. No. Fig. Name

Fig.1. ENGINE UNIT (YBE455RD)

(A)=YBE455RD

(B)=

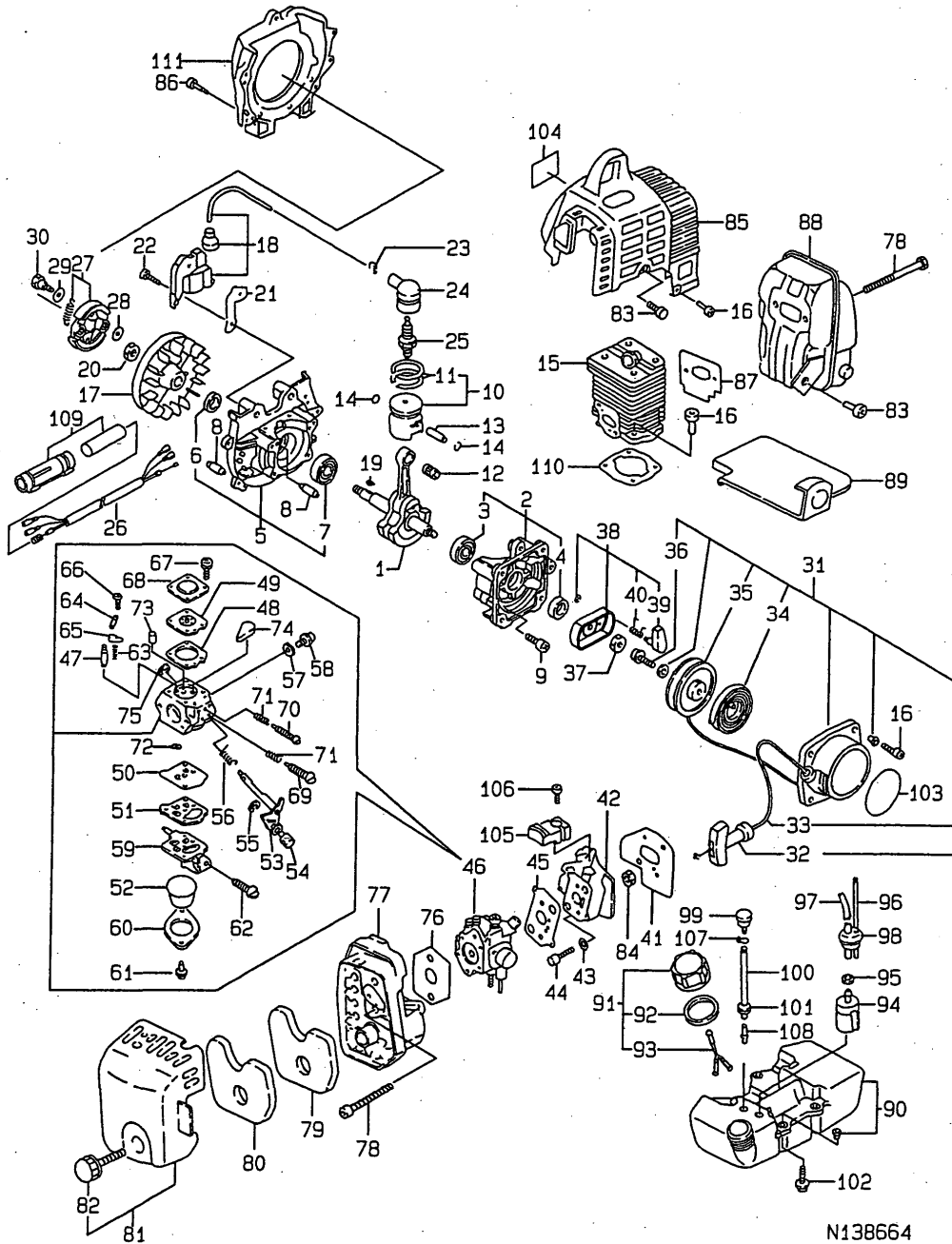
(C)=

(D)=

(E)=

(F)=

1. ENGINE UNIT (YBE455RD)

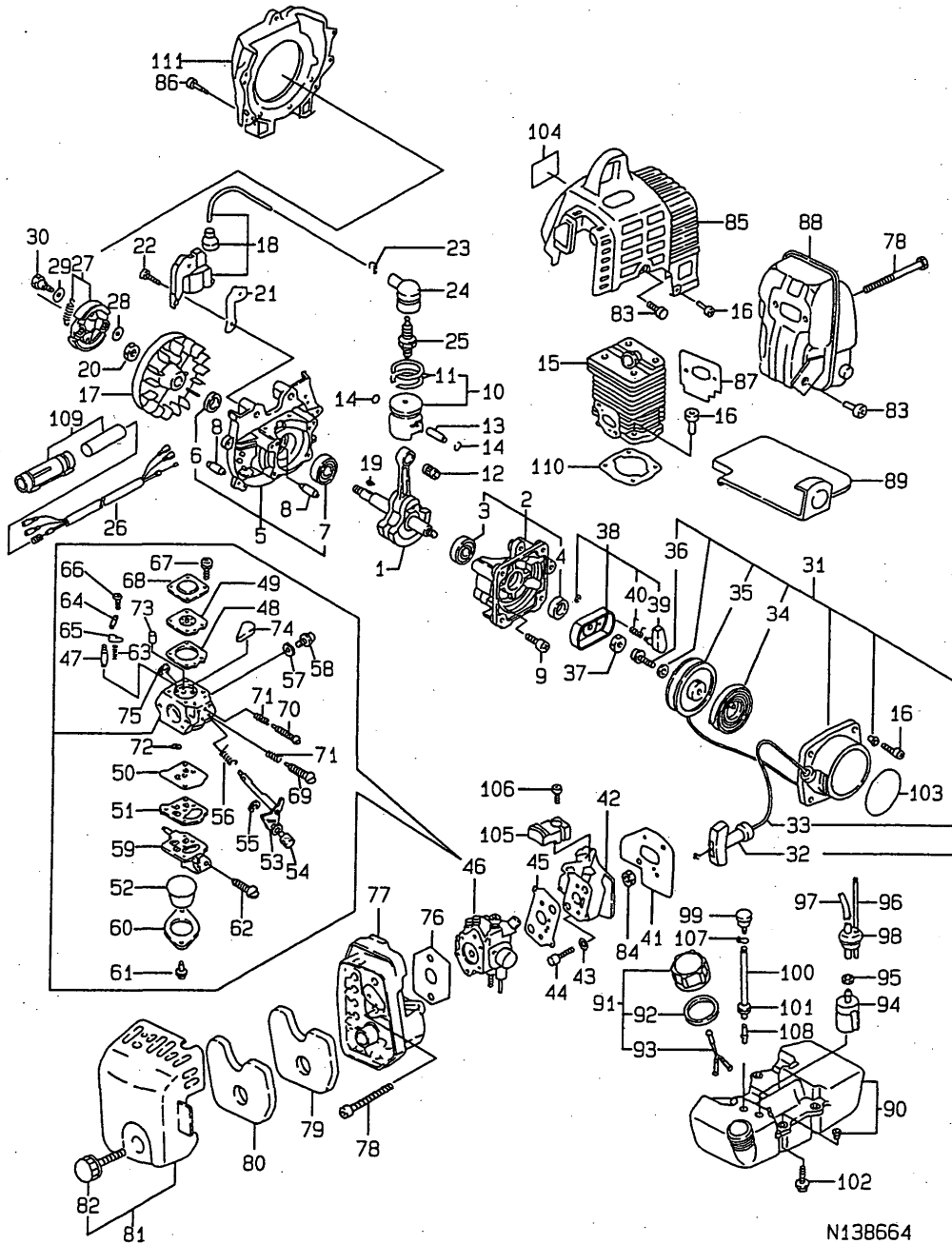


N138664

No.	Lev.	Parts No.	Description	Qty						I	R
				(A)	(B)	(C)	(D)	(E)	(F)		
1	1	1W1152-53481	CRANKSHAFT COMP	1							
2	1	1W1100-35211	CRANKCASE ASS'Y	1							
3	2	24101-062024	BEARING, BALL 6202	1							
4	2	1W0502-09077	SEAL, OIL	1							
5	1	1W1100-35221	CRANKCASE ASS'Y	1							
6	2	24101-062024	BEARING, BALL 6202	1							
7	2	1W0502-09077	SEAL, OIL	1							
8	1	1W0305-00512	DOWEL PIN	2							
9	1	1W0107-09011	BOLT;M5X30	4							
10	1	1W1150-13330	PISTON ASS'Y	1							
11	2	1W1151-15700	RING,PISTON	2							
12	1	1W0427-09006	NEEDLE BEARING	1							
13	1	1W1153-23030	PIN,PISTON	1							
14	1	1W1983-43040	CLIP,PISTON PIN	2							
15	1	1W1102-13612	CILINDER	1							
16	1	1W0107-09008	BOLT;M5X16	9							
17	1	1W1501-03490	FLYWHEEL	1							
18	1	1W1500-53340	COIL ASS'Y,IGNITION	1							
19	1	1W0343-09031	KEY	1							
20	1	26377-100002	NUT, M10	1							
21	1	1W1995-13451	INSULATOR	1							
22	1	1W0107-09018	BOLT;M4X20	2							
23	1	1W1982-13300	SPRING	1							
24	1	1W1504-13033	CAP,PLUG	1							
25	1	1W1502-65091	PLUG,SPARK	1							
26	1	1W1255-05060	WIRE,THROTTLE	1							
27	1	1W1700-33241	CLUTCH ASS'Y	1							
28	1	1W1992-13071	SPACER	2							
29	1	1W1992-13180	SPACER	2							
30	1	1W1994-33082	BOLT	2							
31	1	1W1551-03481	RECOIL ASS'Y	1							
32	2	1W1552-23050	KNOB,STARTER	1							
33	2	1W1552-13141	ROPE,STARTER	1							
34	2	1W1552-63280	SPRING,SPIRAL	1							
35	2	1W1551-83140	REEL	1							
36	2	1W1553-43070	SCREW	1							
37	1	26797-080002	NUT, LOCK M8	1							
38	1	1W1553-53101	PULLEY,STARTER	1							
39	2	1W1551-63081	RATCHET	1							
40	2	1W1552-63300	RETURN SPRING	1							
41	1	1W1359-94030	GASKET	1							
42	1	1W1995-13520	INSULATOR	1							
43	1	22137-050000	WASHER, 5	2							
44	1	1W0107-09010	BOLT;M5X25	2							
45	1	1W1359-94040	GASKET	1							
46	1	1W1301-04311	CARBURETOR ASS'Y	1							
47	2	1W1301-53210	VALVE,FLOAT	1							
48	2	1W1301-23350	GASKET	1							
49	2	1W1302-83357	DIAPHRAGM,METERING	1							
50	2	1W1305-13409	DIAPHRAGM,PUMP	1							
51	2	1W1305-13413	GASKET	1							

Fig.1. ENGINE UNIT (YBE455RD)

1. ENGINE UNIT (YBE455RD)



N138664

(A)=YBE455RD

(B)=

(C)=

(D)=

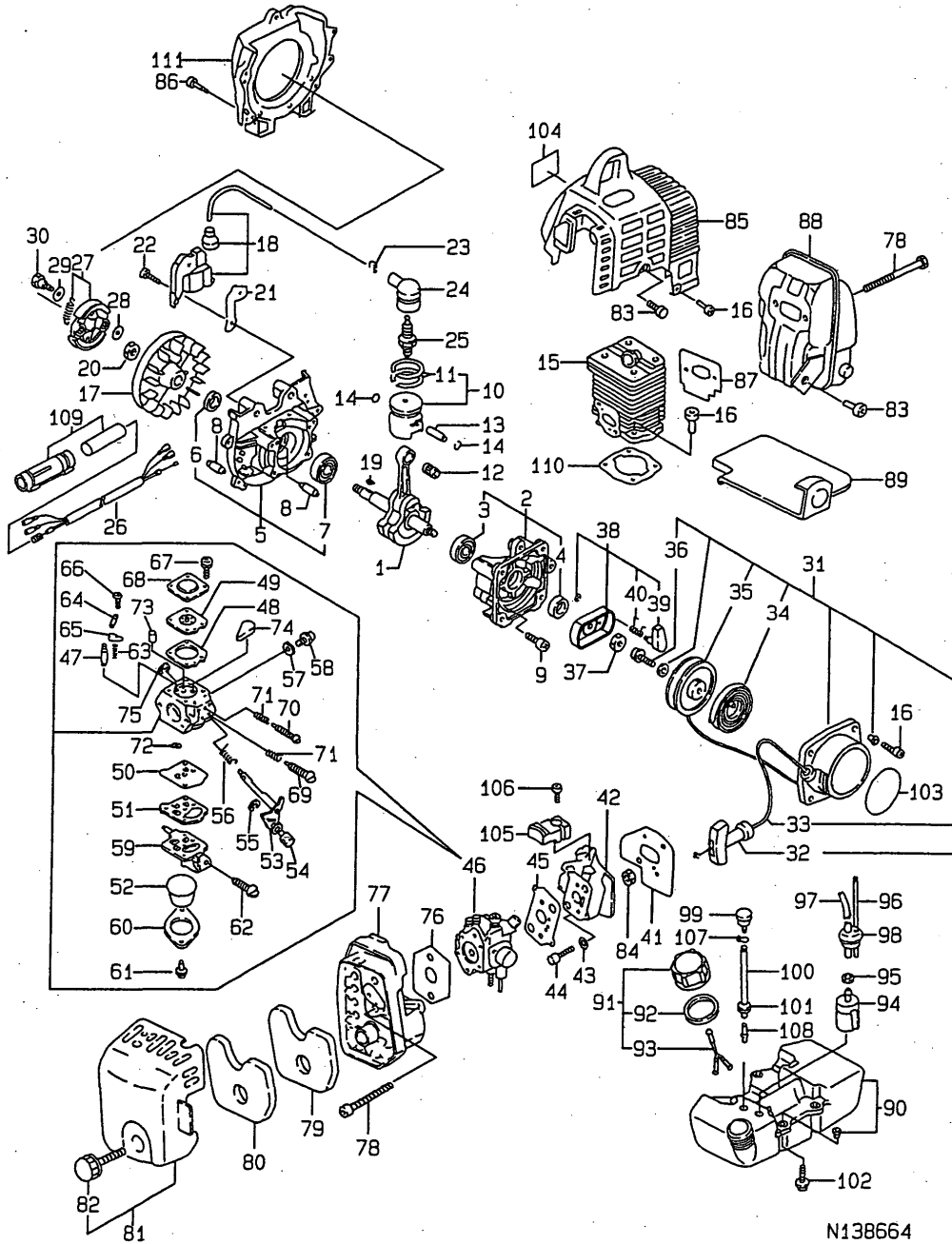
(E)=

(F)=

No.	Lev.	Parts No.	Description	Qty						I	R
				(A)	(B)	(C)	(D)	(E)	(F)		
52	2	1W1981-13900	RUBBER	1							
53	2	1W1302-83355	SHAFT,THROTTLE	1							
54	2	1W1302-83356	PIECE,SET	1							
55	2	1W0368-00004	SNAP RING	1							
56	2	1W1302-13500	SPRING	1							
57	2	1W1302-73430	VALVE,THROTTLE	1							
58	2	1W1301-83210	SCREW	1							
59	2	1W1305-13414	BASE ASSY,PRIMER	1							
60	2	1W1305-13412	PLATE	1							
61	2	1W1301-83440	SCREW	2							
62	2	1W1301-83490	SCREW	1							
63	2	1W1302-13460	SPRING	1							
64	2	1W1302-83296	PIN,FLORT	1							
65	2	1W1302-83318	ARM,FLORT	1							
66	2	1W1301-83240	SCREW	1							
67	2	1W1301-83250	SCREW	2							
68	2	1W1302-83298	COVER,DIAPHRAGM	1							
69	2	1W1301-93390	VALVE,MAIN NEEDLE	1							
70	2	1W1301-93400	VALVE,IDLE NEEDLE	1							
71	2	1W1302-13470	SPRING	2							
72	2	1W1302-83299	NET	1							
73	2	1W1301-73230	NOZZLE,MAIN	1							
74	2	1W1302-83359	WELCH,PLUG	1							
75	2	1W1302-83294	CLIP	1							
76	1	1W1359-93430	GASKET	1							
77	1	1W1357-13373	CASE COMPL	1							
78	1	1W0107-09040	BOLT;M5X58	4							
79	1	1W1352-63380	ELEMENT	1							
80	1	1W1352-63370	ELEMENT(A)	1							
81	1	1W1357-13393	CASE COMPL,CAP	1							
82	2	1W1994-33090	BOLT	1							
83	1	1W0107-09006	BOLT;M5X12	4							
84	1	1W0201-00005	NUT	2							
85	1	1W1751-53720	COWLING	1							
86	1	1W0107-09009	BOLT;M5X20	4							
87	1	1W1359-94050	GASKET	1							
88	1	1W1354-03572	MUFFLER COP	1							
89	1	1W1354-33640	PLATE,BAFFLE	1							
90	1	1W1601-03260	TANK,FUEL	1							
91	1	1W1600-33210	CAP ASS'Y,FUEL TANK	1							
92	2	1W1609-93100	GASKET	1							
93	2	1W1601-73030	HANGER	1							
94	1	1W1303-03290	FILTER,FUEL	1							
95	1	1W1983-43181	CLIP	1							
96	1	1W0682-09150	HOSE	1							
97	1	1W0682-09128	HOSE	1							
98	1	1W1981-13730	RUBBER	1							
99	1	1W1600-43120	VALVE ASS'Y,REVERSIN	1							
100	1	1W0682-09174	HOSE	1							
101	1	1W1981-13560	RUBBER	1							
102	1	1W0107-09017	BOLT;M5X14	4							

Fig.1. ENGINE UNIT (YBE455RD)

1. ENGINE UNIT (YBE455RD)



(A)=YBE455RD
(B)=
(C)=

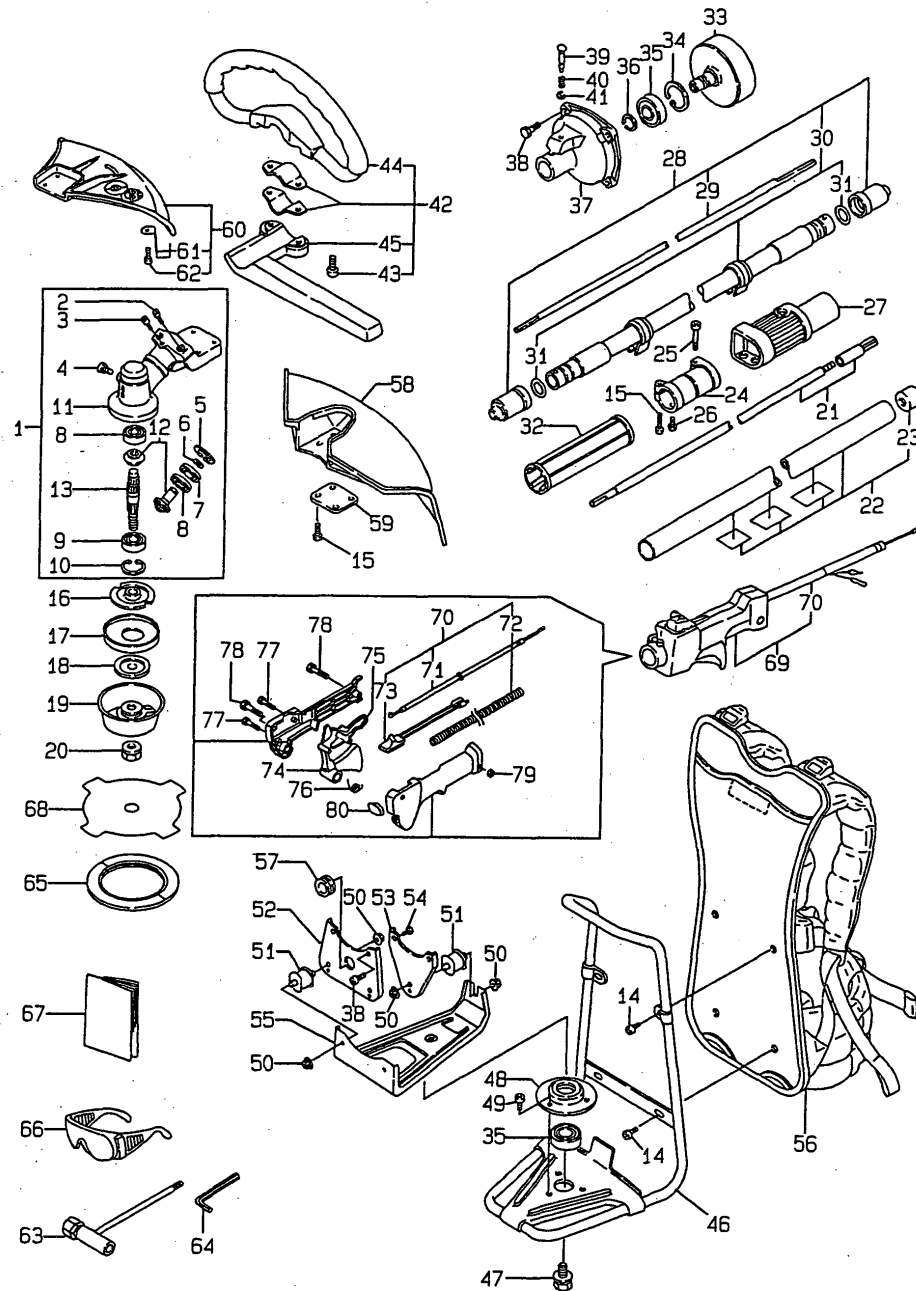
(D)=
(E)=
(F)=

No.	Lev.	Parts No.	Description	Q'ty						I	R
				(A)	(B)	(C)	(D)	(E)	(F)		
103	1	1W1902-83990	PLATE,NAME	1							
104	1	1W1903-33250	MARK,TRADE	1							
105	1	1W1255-43090	ADJUSTER	1							
106	1	1W0107-09015	BOLT;M4X12	1							
107	1	1W1983-43060	CLIP	1							
108	1	1W1984-83100	CONNECTOR	1							
109	1	1W1256-83061	HOLDER	1							
110	1	1W1109-93430	GASKET	1							
111	1	1W1751-14351	HOUSING,BLOWER	1							

N138664

Fig.2. BRUSH CUTER (YBE455RD)

2. BRUSH CUTER (YBE455RD)



(A)=YBE455RD

(B)=

(C)=

(D)=

(E)=

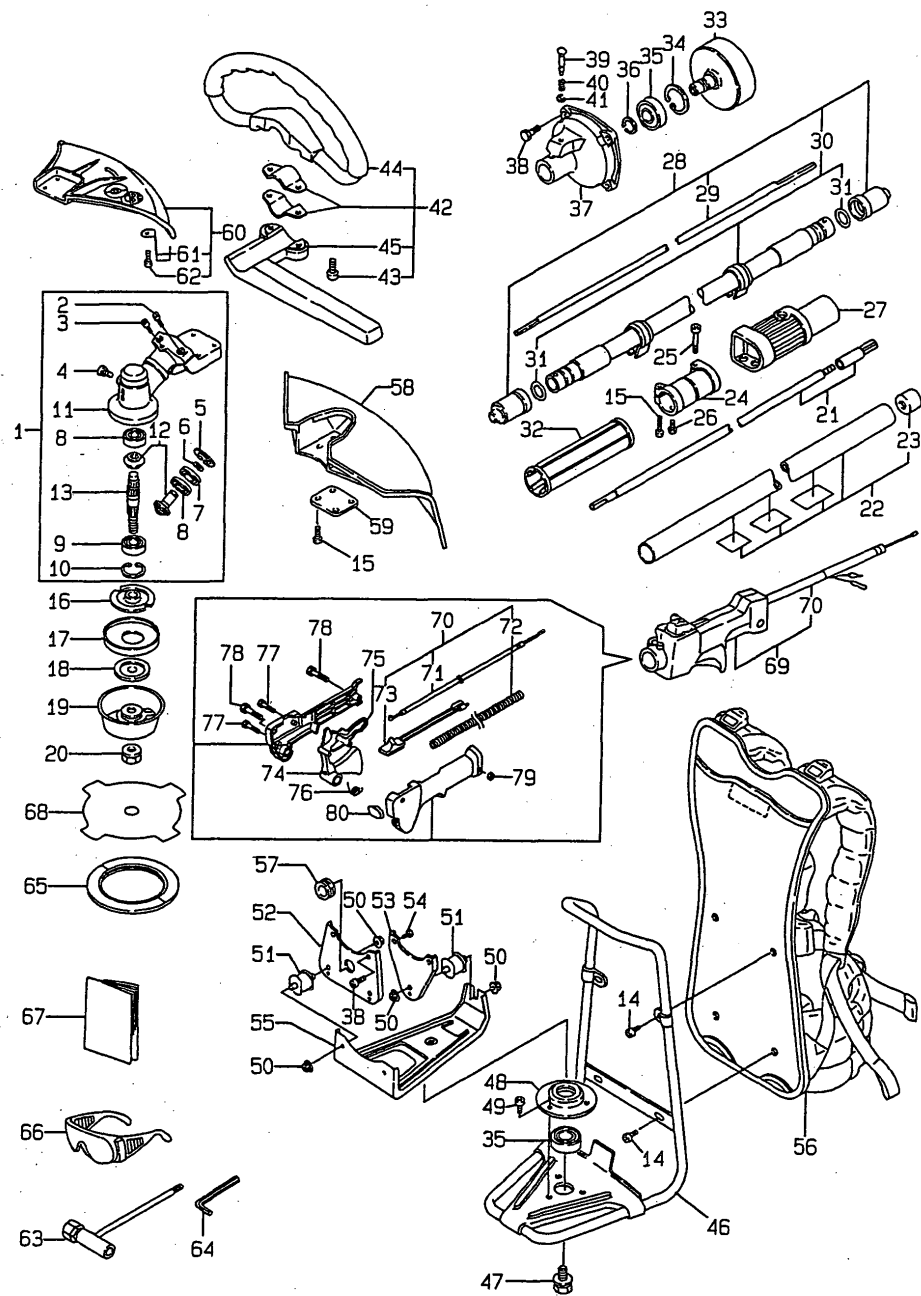
(F)=

No.	Lev.	Parts No.	Description	Q'ty						I	R
				(A)	(B)	(C)	(D)	(E)	(F)		
1	1	1W7200-23940	CASE ASS'Y,GEAR	1							
2	2	1W0107-09009	BOLT;M5X20	2							
3	2	1W7209-73175	BOLT;M5X10	1							
4	2	1W7209-73663	BOLT;M6X8	1							
5	2	22252-000260	RING, 26	1							
6	2	22242-000100	RING, 10	1							
7	2	1W0401-16000	BALL BEARING	1							
8	2	24101-060004	BEARING, BALL 6000	2							
9	2	24104-060014	BEARING, BALL 6001UU	1							
10	2	22252-000280	RING, 28	1							
11	2	1W7202-63670	GEAR CASE	1							
12	2	1W7202-73160	GEAR ASSY	1							
13	2	1W7202-93370	GEAR SHAFT	1							
14	1	1W7209-73175	BOLT;M5X10	4							
15	1	1W0107-09009	BOLT;M5X20	5							
16	1	1W7203-33630	HOLDER	1							
17	1	1W7203-43890	COVER(B)	1							
18	1	1W7203-33610	HOLDER	1							
19	1	1W7203-43780	COVER,NUT	1							
20	1	1W7209-73715	NUT	1							
21	1	1W7201-13600	SHAFT,DRIVE	1							
22	1	1W7201-24400	PIPE COMPL	1							
23	2	1W7201-33061	METAL	8							
24	1	1W7203-83120	CASE,JOINT	1							
25	1	1W7209-73728	BOLT;M5X30	1							
26	1	1W7209-73673	BOLT;M5X8	1							
27	1	1W7203-43810	COVER,JOINT	1							
28	1	1W7208-80110	SHAFT ASS'Y,FLEXIBLE	1							
29	2	1W7201-13490	SHAFT,FLEXIBLE	1							
30	2	1W7208-90130	LINER,FLEXIBLE	1							
31	3	1W7209-73698	O-RING	2							
32	1	1W7207-23240	COLLAR	1							
33	1	1W7205-23260	DRUM,CLUTCH	1							
34	1	22252-000350	RING, 35	1							
35	1	24107-062024	BEARING, BALL 6202ZZ	2							
36	1	22242-000150	RING, 15	1							
37	1	1W7205-13560	HOUSING,CLUTCH	1							
38	1	1W7209-73183	BOLT;M6X18	4							
39	1	1W7209-73732	PIN,JOINT	1							
40	1	1W7204-23100	SPRING	1							
41	1	22272-000040	RING, E- 4	1							
42	1	1W7200-53740	HANDLE ASS'Y	1							
43	2	1W7209-73183	BOLT;M6X18	2							
44	2	1W7206-13320	HANDLE	1							
45	2	1W7202-43030	BAR,HANDLE	1							
46	1	1W7208-70130	FRAME COMPL	1							
47	1	1W7209-73691	BOLT;M10X20	1							
48	1	1W7201-63070	HOLDER,BEARING	1							
49	1	1W7209-73643	BOLT;M6X10	3							
50	1	26367-060002	NUT, M6	6							
51	1	1W7207-03030	RUBBER COMPL	3							

N138665

Fig.2. BRUSH CUTER (YBE455RD)

2. BRUSH CUTER (YBE455RD)



(A)=YBE455RD

(B)=

(C)=

(D)=

(E)=

(F)=

No.	Lev.	Parts No.	Description	Qty						I	R
				(A)	(B)	(C)	(D)	(E)	(F)		
52	1	1W7204-73810	STAY	1							
53	1	1W7204-73820	STAY	1							
54	1	1W0107-09008	BOLT;M5X16	2							
55	1	1W7204-73740	STAY,ENGINE	1							
56	1	1W7208-53600	BAND COMPL,SHOULDER	1							
57	1	1W3981-10100	RUBBER	1							
58	1	1W7204-63460	DEFLECTOR	1							
59	1	1W7204-73180	PLATE	1							
60	1	1W7200-43501	DEFLECTOR ASSY	1							
61	2	1W7204-93060	CUTTER	1							
62	2	1W0107-09008	BOLT;M5X16	1							
63	1	1W7209-83371	SPANNER,BOX	1							
64	1	28150-040000	WRENCH, BAR 4	1							
65	1	1W7209-13053	COVER,BLADE	1							
66	1	1W1956-33040	GOGGLE	1							
67	1	1W1008-14092	INSTRUCTION BOOK	1							
68	1	1W1958-33150	SAW,4 TOOTH	1							
69	1	1W1250-34280	LEVER ASS'Y,THROTTLE	1							
70	2	1W1255-05150	WIRE,THROTTLE	1							
71	3	1W1255-05290	WIRE COMPL,THROTTLE	1							
72	3	1W1858-43141	HOSE	1							
73	3	1W1852-03340	SWITCH,STOP	1							
74	2	1W1253-23220	LEVER	1							
75	2	1W1253-23210	LEVER,STOP	1							
76	2	1W1982-13420	SPRING	1							
77	2	1W1858-43142	SCREW,4X20	4							
78	2	1W1858-43143	SCREW,M5X30	2							
79	2	1W1858-43144	NUT,M5	2							
80	2	1W1858-43146	PLUG	1							

Fig.3. ENGINE UNIT (YBE575P)

(A)=YBE575P-CE

(B)=

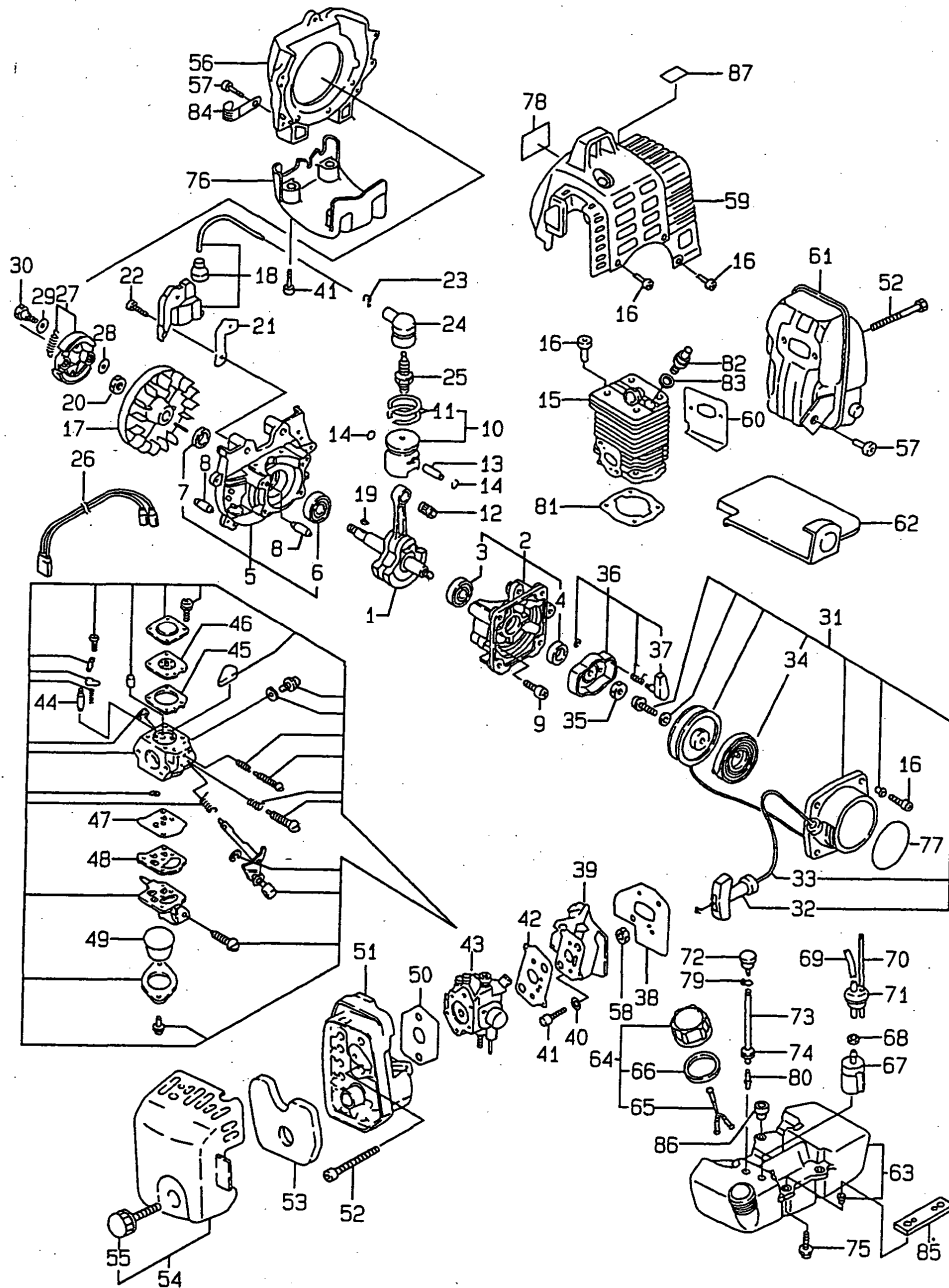
(C)=

(D)=

(E)=

(F)=

3. ENGINE UNIT (YBE575P)



N138666

No.	Lev.	Parts No.	Description	Qty						I	R
				(A)	(B)	(C)	(D)	(E)	(F)		
1	1	1W1152-53481	CRANKSHAFT COMP	1							
2	1	1W1100-35211	CRANKCASE ASS'Y	1							
3	2	24101-062024	BEARING, BALL 6202	1							
4	2	1W0502-09077	SEAL, OIL	1							
5	1	1W1100-35221	CRANKCASE ASS'Y	1							
6	2	24101-062024	BEARING, BALL 6202	1							
7	2	1W0502-09077	SEAL, OIL	1							
8	1	1W0305-00512	DOWEL PIN	2							
9	1	1W0107-09011	BOLT;M5X30	4							
10	1	1W1150-13370	PISTON ASS'Y	1							
11	2	1W1151-15720	RING,PISTON	2							
12	1	1W0427-09006	NEEDLE BEARING	1							
13	1	1W1153-23140	PIN,PISTON	1							
14	1	1W1983-43040	CLIP,PISTON PIN	2							
15	1	1W1102-13660	CYLINDER	1							
16	1	1W0107-09009	BOLT;M5X20	13							
17	1	1W1501-03530	FLYWHEEL	1							
18	1	1W1500-53340	COIL ASS'Y,IGNITION	1							
19	1	1W0343-09031	KEY	1							
20	1	26377-100002	NUT, M10	1							
21	1	1W1995-13451	INSULATOR	1							
22	1	1W0107-09018	BOLT;M4X20	2							
23	1	1W1982-13300	SPRING	1							
24	1	1W1504-13033	CAP,PLUG	1							
25	1	1W1502-63091	PLUG,SPARK	1							
26	1	1W1856-03420	WIRE,THROTTLE	1							
27	1	1W1700-33241	CLUTCH ASS'Y	1							
28	1	1W1992-13071	SPACER	2							
29	1	1W1992-13180	SPACER	2							
30	1	1W1994-33082	BOLT	2							
31	1	1W1551-03481	RECOIL ASS'Y	1							
32	2	1W1552-23050	KNOB,STARTER	1							
33	2	1W1552-13141	ROPE,STARTER	1							
34	2	1W1552-63280	SPRING,SPIRAL	1							
35	1	26797-080002	NUT, LOCK M8	1							
36	1	1W1553-53101	PULLEY,STARTER	1							
37	2	1W1551-63081	RATCHET	1							
38	1	1W1359-94290	GASKET	1							
39	1	1W1995-13520	INSULATOR	1							
40	1	22137-050000	WASHER, 5	2							
41	1	1W0107-09010	BOLT;M5X25	6							
42	1	1W1359-94040	GASKET	1							
43	1	1W1301-04480	CARBURETOR ASS'Y	1							
44	2	1W1301-53210	VALVE,FLOAT	1							
45	2	1W1301-23350	GASKET	1							
46	2	1W1302-83357	DIAPHRAGM,METERING	1							
47	2	1W1305-13409	DIAPHRAGM,PUMP	1							
48	2	1W1305-13413	GASKET	1							
49	2	1W1981-13900	RUBBER	1							
50	1	1W1359-93430	GASKET	1							
51	1	1W1357-13373	CASE COMPL	1							

N:Old $\frac{Yes}{No}$ New, Q:Old $\frac{No}{Yes}$ New, R:Old $\frac{Yes}{No}$ New, S:Old $\frac{No}{Yes}$ New, W:Add, Z:Discontinued, F:Interchangeable by set, K:Q'ty Change
 ++ CONTINUE ++

Fig.3. ENGINE UNIT (YBE575P)

(A)=YBE575P-CE

(B)=

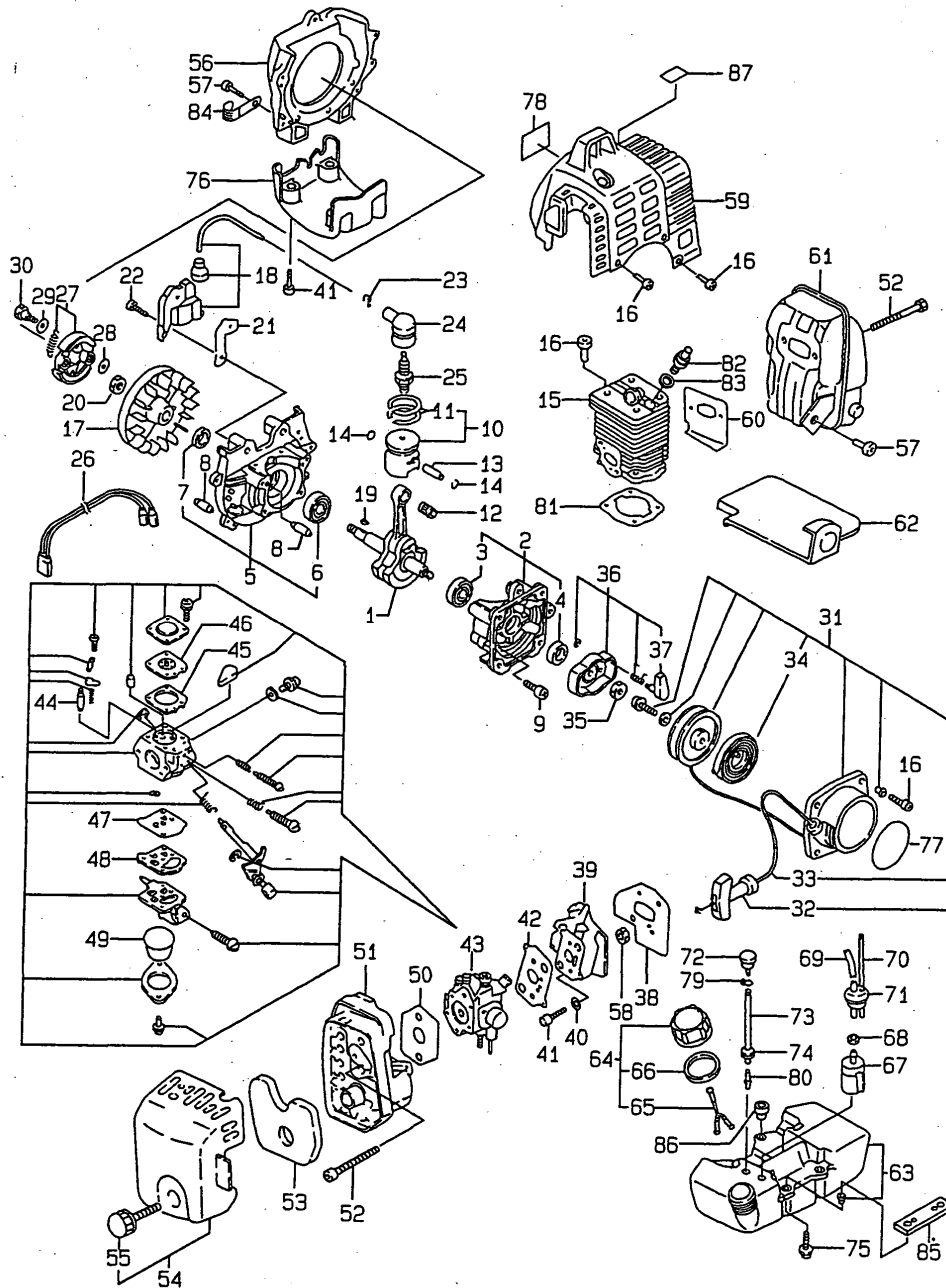
(C)=

(D)=

(E)=

(F)=

3. ENGINE UNIT (YBE575P)

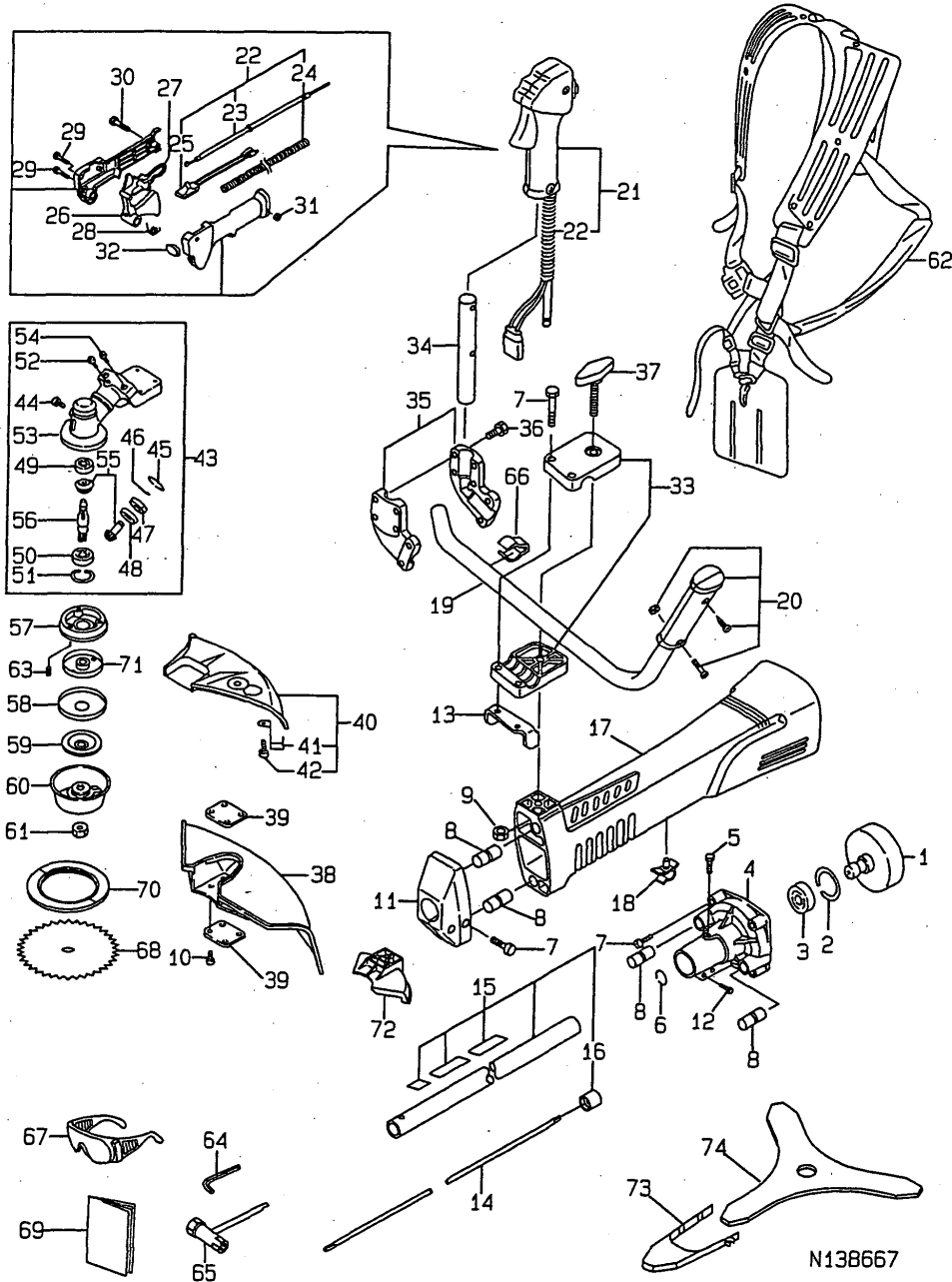


No.	Lev.	Parts No.	Description	Q'ty						I	R
				(A)	(B)	(C)	(D)	(E)	(F)		
52	1	1W0107-09040	BOLT;M5X58	4							
53	1	1W1352-63440	ELEMENT	1							
54	1	1W1357-13520	CASE COMPL,CAP	1							
55	2	1W1994-33090	BOLT	1							
56	1	1W1751-14311	HOUSING,BLOWER	1							
57	1	1W0107-09006	BOLT;M5X12	3							
58	1	1W0201-00005	NUT	2							
59	1	1W1751-54040	COWLING,CYLINDER	1							
60	1	1W1359-94300	GASKET	1							
61	1	1W1354-03710	MUFFLER,EXHAUST	1							
62	1	1W1354-33640	PLATE,BAFFLE	1							
63	1	1W1601-03340	TANK,FUEL	1							
64	1	1W1600-33210	CAP ASS'Y,FUEL TANK	1							
65	2	1W1601-73030	HANGER	1							
66	2	1W1609-93100	GASKET	1							
67	1	1W1303-03290	FILTER,FUEL	1							
68	1	1W1983-43181	CLIP	1							
69	1	1W0682-09128	HOSE	1							
70	1	1W0682-09150	HOSE	1							
71	1	1W1981-13730	RUBBER	1							
72	1	1W1600-43120	VALVE ASS'Y,REVERSIN	1							
73	1	1W0682-09174	HOSE	1							
74	1	1W1981-13560	RUBBER	1							
75	1	1W0107-09017	BOLT;M5X14	2							
76	1	1W1759-73390	STAY,STAND	1							
77	1	1W1902-85170	PLATE,NAME	1							
78	1	1W1903-33250	MARK,TRADE	1							
79	1	1W1983-43060	CLIP	1							
80	1	1W1984-83100	CONNECTOR	1							
81	1	1W1109-93440	GASKET	1							
82	1	1W1110-53010	VALVE,DECOMPRESSION	1							
83	1	1W1119-93030	GASKET	1							
84	1	1W1991-13060	CLAMP	1							
85	1	1W1609-73050	STAY	1							
86	1	1W1992-33490	COLLAR	1							
87	1	1W1904-63470	MARK SHEET	1							

N138666

Fig.4. BRUSH CUTER (YBE575P)

4. BRUSH CUTER (YBE575P)



(A)=YBE575P-CE

(B)=

(C)=

(D)=

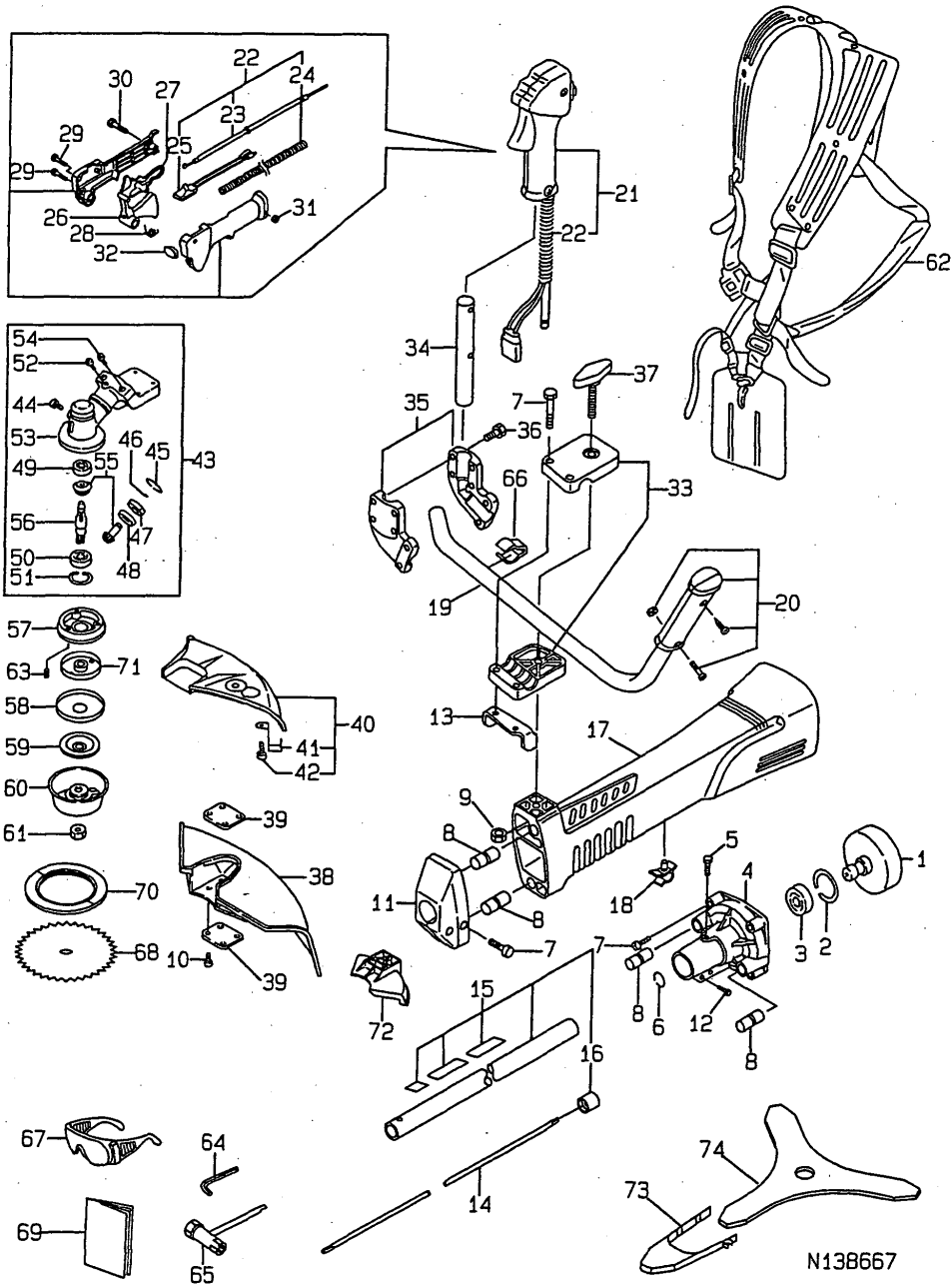
(E)=

(F)=

No.	Lev.	Parts No.	Description	Q'ty						I	R
				(A)	(B)	(C)	(D)	(E)	(F)		
1	1	1W7205-23240	DRUM,CLUTCH	1							
2	1	22252-000400	RING, 40	1							
3	1	24107-062034	BEARING, BALL 6203ZZ	1							
4	1	1W7205-13610	HOUSING,CLUTCH	1							
5	1	1W7209-73175	BOLT;M5X10	1							
6	1	22242-000170	RING, 17	1							
7	1	1W7209-73179	BOLT;M6X30	8							
8	1	1W7207-13240	RUBBER	4							
9	1	26797-080002	NUT, LOCK M8	1							
10	1	1W0107-09009	BOLT;M5X20	4							
11	1	1W7203-33980	HOLDER	1							
12	1	1W0107-09010	BOLT;M5X25	2							
13	1	1W7209-73740	STOPPER	1							
14	1	1W7201-13510	SHAFT,DRIVE	1							
15	1	1W7201-24710	PIPE COMPL	1							
16	2	1W7201-33310	METAL	5							
17	1	1W7203-83190	CASE	1							
18	1	1W1991-13200	CLAMP	2							
19	1	1W7206-13400	HANDLE	1							
20	1	1W7206-23620	GRIP ASS'Y	1							
21	1	1W1250-34390	LEVER ASS'Y,THROTTLE	1							
22	2	1W1255-05400	WIRE,THROTTLE	1							
23	3	1W1255-05420	WIRE COMPL,THROTTLE	1							
24	3	1W1858-43151	HOSE	1							
25	3	1W1852-03400	SWITCH	1							
26	2	1W1253-23200	LEVER	1							
27	2	1W1253-23210	LEVER,STOP	1							
28	2	1W1982-13420	SPRING	1							
29	2	1W1858-43142	SCREW,4X20	4							
30	2	1W1858-43143	SCREW,M5X30	2							
31	2	1W1858-43144	NUT,M5	2							
32	2	1W1858-43146	PLUG	1							
33	1	1W7200-63390	HOLDER ASSY,HANDLE	1							
34	1	1W7206-13410	HANDLE	1							
35	1	1W7200-63350	HOLDER ASSY,HANDLE	1							
36	1	1W7209-73176	BOLT;M5X15	6							
37	1	1W7209-73731	KNOB BOLT	1							
38	1	1W7204-63460	DEFLECTOR	1							
39	1	1W7204-73180	PLATE	2							
40	1	1W7200-43501	DEFLECTOR ASSY	1							
41	2	1W7204-93060	CUTTER	1							
42	2	1W0107-09008	BOLT;M5X16	1							
43	1	1W7200-24040	CASE ASSY,GEAR	1							
44	2	1W7209-73663	BOLT;M6X8	1							
45	2	22252-000320	RING, 32	1							
46	2	1W0362-00015	SNAP RING	1							
47	2	24107-060024	BEARING, BALL 6002ZZ	1							
48	2	24101-060024	BEARING, BALL 6002	1							
49	2	24101-062004	BEARING, BALL 6200	1							
50	2	1W7209-73685	BALL BEARING 6202LL	1							
51	2	22252-000350	RING, 35	1							

Fig.4. BRUSH CUTER (YBE575P)

4. BRUSH CUTER (YBE575P)



(A)=YBE575P-CE

(B)=

(C)=

(D)=

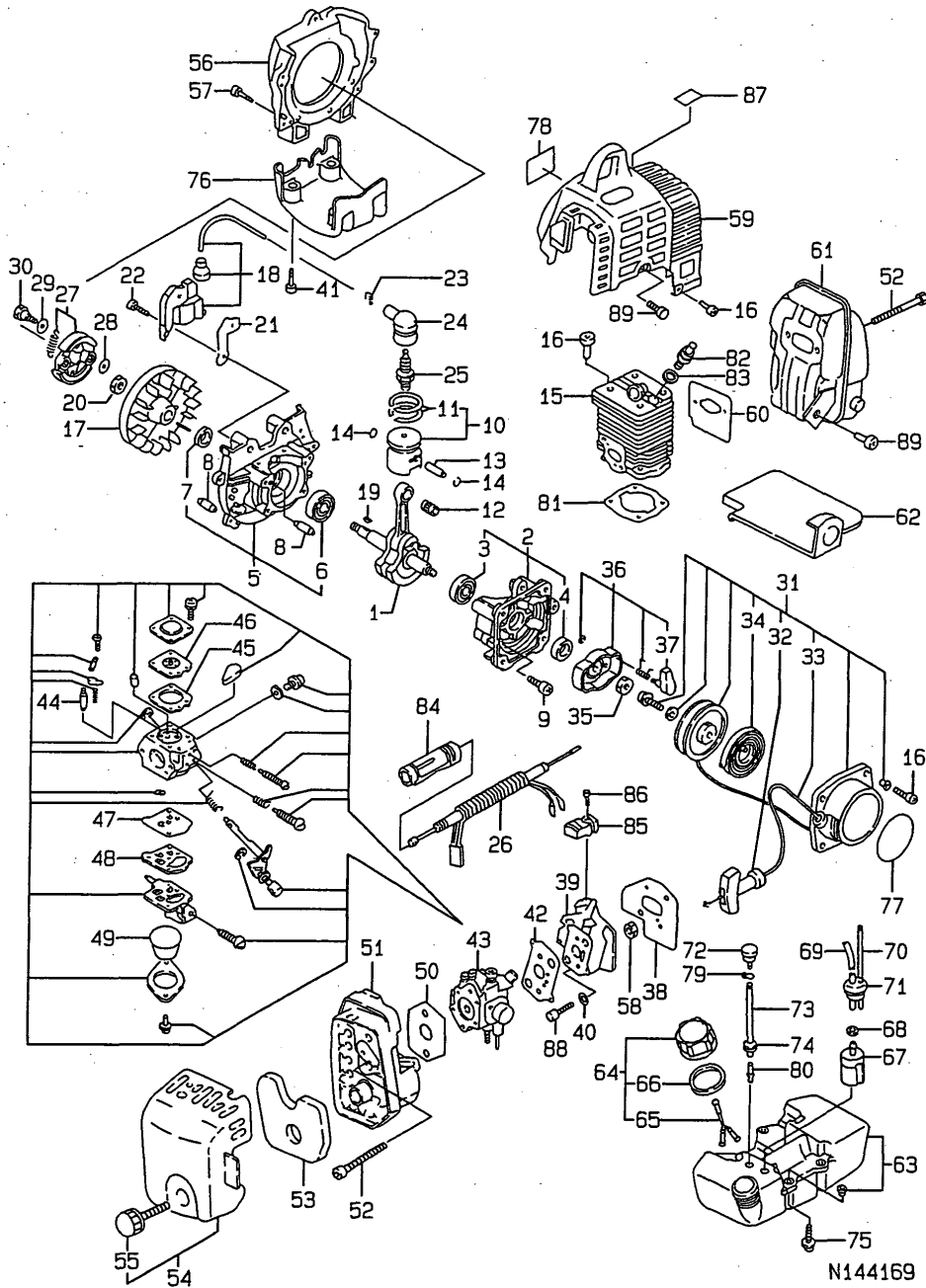
(E)=

(F)=

No.	Lev.	Parts No.	Description	Q'ty						I	R
				(A)	(B)	(C)	(D)	(E)	(F)		
52	2	1W7209-73175	BOLT;M5X10	1							
53	2	1W7202-63700	CASE,GEAR	1							
54	2	1W7209-73184	BOLT;M6X26	2							
55	2	1W7202-73860	GEAR ASS'Y	1							
56	2	1W7202-93410	SHAFT	1							
57	1	1W7203-43840	COVER	1							
58	1	1W7203-43020	COVER(B)	1							
59	1	1W7203-33880	HOLDER	1							
60	1	1W7203-43940	COVER,NUT	1							
61	1	1W7203-73151	NUT	1							
62	1	1W7208-53540	BAND COMPL,SHOUDER	1							
63	1	1W7209-73673	BOLT;M5X8	3							
64	1	28150-040000	WRENCH, BAR 4	1							
65	1	1W7209-83371	SPANNER,BOX	1							
66	1	1W1991-13210	CLAMP	1							
67	1	1W1956-33040	GOGGLE	1							
68	1	1W1958-33570	SAW,CIRCULAR	1							
69	1	1W1008-14600	INSTRUCTION MANUAL	1							
70	1	1W7209-13130	COVER,BLADE	1							
71	1	1W7203-33870	HOLDER,BLADE	1							
72	1	1W7204-63470	DEFLECTOR	1							
73	1	1W7209-13110	COVER,BLADE	3							
74	1	1W1958-33600	SAW,3 TOOTH	1							

Fig.5. ENGINE UNIT (YBE455P)

5. ENGINE UNIT (YBE455P)



N144169

(A)=YBE455P-CE

(B)=

(C)=

(D)=

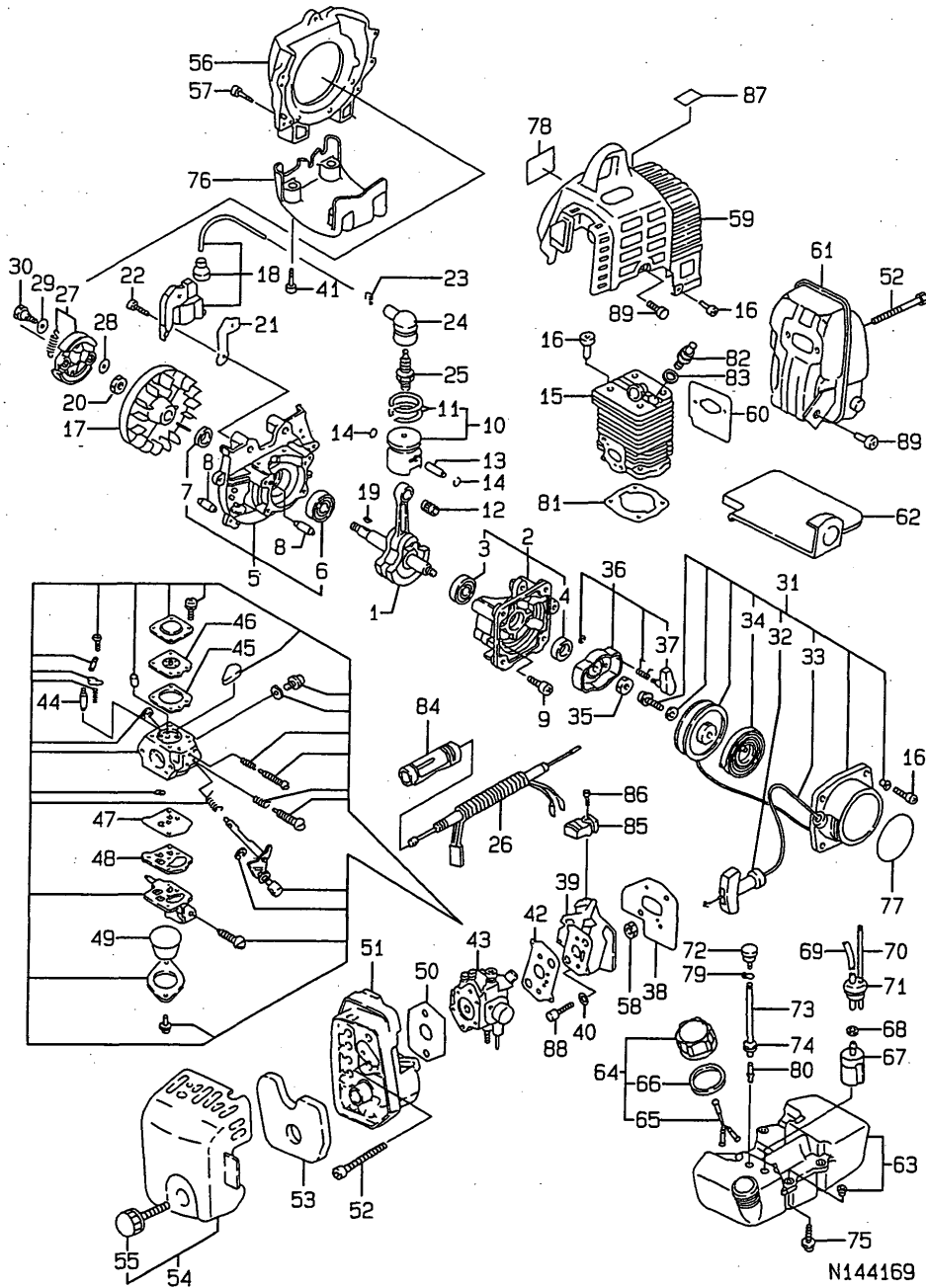
(E)=

(F)=

No.	Lev.	Parts No.	Description	Qty						I	R
				(A)	(B)	(C)	(D)	(E)	(F)		
1	1	1W1152-53481	CRANKSHAFT COMP	1							
2	1	1W1100-35211	CRANKCASE ASS'Y	1							
3	2	24101-062024	BEARING, BALL 6202	1							
4	2	1W0502-09077	SEAL, OIL	1							
5	1	1W1100-35221	CRANKCASE ASS'Y	1							
6	2	24101-062024	BEARING, BALL 6202	1							
7	2	1W0502-09077	SEAL, OIL	1							
8	1	1W0305-00512	DOWEL PIN	2							
9	1	1W0107-09011	BOLT;M5X30	4							
10	1	1W1150-13330	PISTON ASS'Y	1							
11	2	1W1151-15700	RING,PISTON	2							
12	1	1W0427-09006	NEEDLE BEARING	1							
13	1	1W1153-23030	PIN,PISTON	1							
14	1	1W1983-43040	CLIP,PISTON PIN	2							
15	1	1W1102-13571	CYLINDER	1							
16	1	1W0107-09008	BOLT;M5X16	9							
17	1	1W1501-03490	FLYWHEEL	1							
18	1	1W1500-53340	COIL ASS'Y,IGNITION	1							
19	1	1W0343-09031	KEY	1							
20	1	26377-100002	NUT, M10	1							
21	1	1W1995-13451	INSULATOR	1							
22	1	1W0107-09018	BOLT;M4X20	2							
23	1	1W1982-13300	SPRING	1							
24	1	1W1504-13033	CAP,PLUG	1							
25	1	1W1502-63091	PLUG,SPARK	1							
26	1	1W1255-04970	WIRE,THROTTLE	1							
27	1	1W1700-33241	CLUTCH ASS'Y	1							
28	1	1W1992-13071	SPACER	2							
29	1	1W1992-13180	SPACER	2							
30	1	1W1994-33082	BOLT	2							
31	1	1W1551-03481	RECOIL ASS'Y	1							
32	2	1W1552-23050	KNOB,STARTER	1							
33	2	1W1552-13141	ROPE,STARTER	1							
34	2	1W1552-63280	SPRING,SPIRAL	1							
35	1	26797-080002	NUT, LOCK M8	1							
36	1	1W1553-53101	PULLEY,STARTER	1							
37	2	1W1551-63081	RATCHET	1							
38	1	1W1359-94030	GASKET	1							
39	1	1W1995-13520	INSULATOR	1							
40	1	22137-050000	WASHER, 5	2							
41	1	1W0107-09008	BOLT;M5X16	4							
42	1	1W1359-94040	GASKET	1							
43	1	1W1301-04311	CARBURETOR ASS'Y	1							
44	2	1W1301-53210	VALVE,FLOAT	1							
45	2	1W1301-23350	GASKET	1							
46	2	1W1302-83357	DIAPHRAGM,METERING	1							
47	2	1W1305-13409	DIAPHRAGM,PUMP	1							
48	2	1W1305-13413	GASKET	1							
49	2	1W1981-13900	RUBBER	1							
50	1	1W1359-93430	GASKET	1							
51	1	1W1357-13373	CASE COMPL	1							

Fig.5. ENGINE UNIT (YBE455P)

5. ENGINE UNIT (YBE455P)



N144169

(A)=YBE455P-CE

(B)=

(C)=

(D)=

(E)=

(F)=

No.	Lev.	Parts No.	Description	Q'ty						I	R
				(A)	(B)	(C)	(D)	(E)	(F)		
52	1	1W0107-09040	BOLT;M5X58	4							
53	1	1W1352-63440	ELEMENT	1							
54	1	1W1357-13393	CASE COMPL,CAP	1							
55	2	1W1994-33090	BOLT	1							
56	1	1W1751-14311	HOUSING,BLOWER	1							
57	1	1W0107-09009	BOLT;M5X20	4							
58	1	1W0201-00005	NUT	2							
59	1	1W1751-53700	COWLING	1							
60	1	1W1359-94050	GASKET	1							
61	1	1W1354-03563	MUFFLER	1							
62	1	1W1354-33640	PLATE,BAFFLE	1							
63	1	1W1601-03310	TANK,FUEL	1							
64	1	1W1600-33210	CAP ASS'Y,FUEL TANK	1							
65	2	1W1601-73030	HANGER	1							
66	2	1W1609-93100	GASKET	1							
67	1	1W1303-03290	FILTER,FUEL	1							
68	1	1W1983-43181	CLIP	1							
69	1	1W0682-09128	HOSE	1							
70	1	1W0682-09150	HOSE	1							
71	1	1W1981-13730	RUBBER	1							
72	1	1W1600-43120	VALVE ASS'Y,REVERVIN	1							
73	1	1W0682-09174	HOSE	1							
74	1	1W1981-13560	RUBBER	1							
75	1	1W0107-09008	BOLT;M5X16	4							
76	1	1W1759-73390	STAY,STAND	1							
77	1	1W1902-85110	PLATE,NAME	1							
78	1	1W1903-33250	MARK,TRADE	1							
79	1	1W1983-43060	CLIP	1							
80	1	1W1984-83100	CONNECTOR	1							
81	1	1W1109-93430	GASKET	1							
82	1	1W1110-53010	VALVE,DECOMPRESSION	1							
83	1	1W1119-93030	GASKET	1							
84	1	1W1256-83061	HOLDER	1							
85	1	1W1255-43090	ADJUSTER	1							
86	1	1W0107-09015	BOLT;M4X12	1							
87	1	1W1904-63470	MARK SHEET	1							
88	1	1W0107-09010	BOLT;M5X25	2							
89	1	1W0107-09006	BOLT;M5X12	4							

Fig.6. BRUSH CUTER (YBE455P)

(A)=YBE455P-CE

(B)=

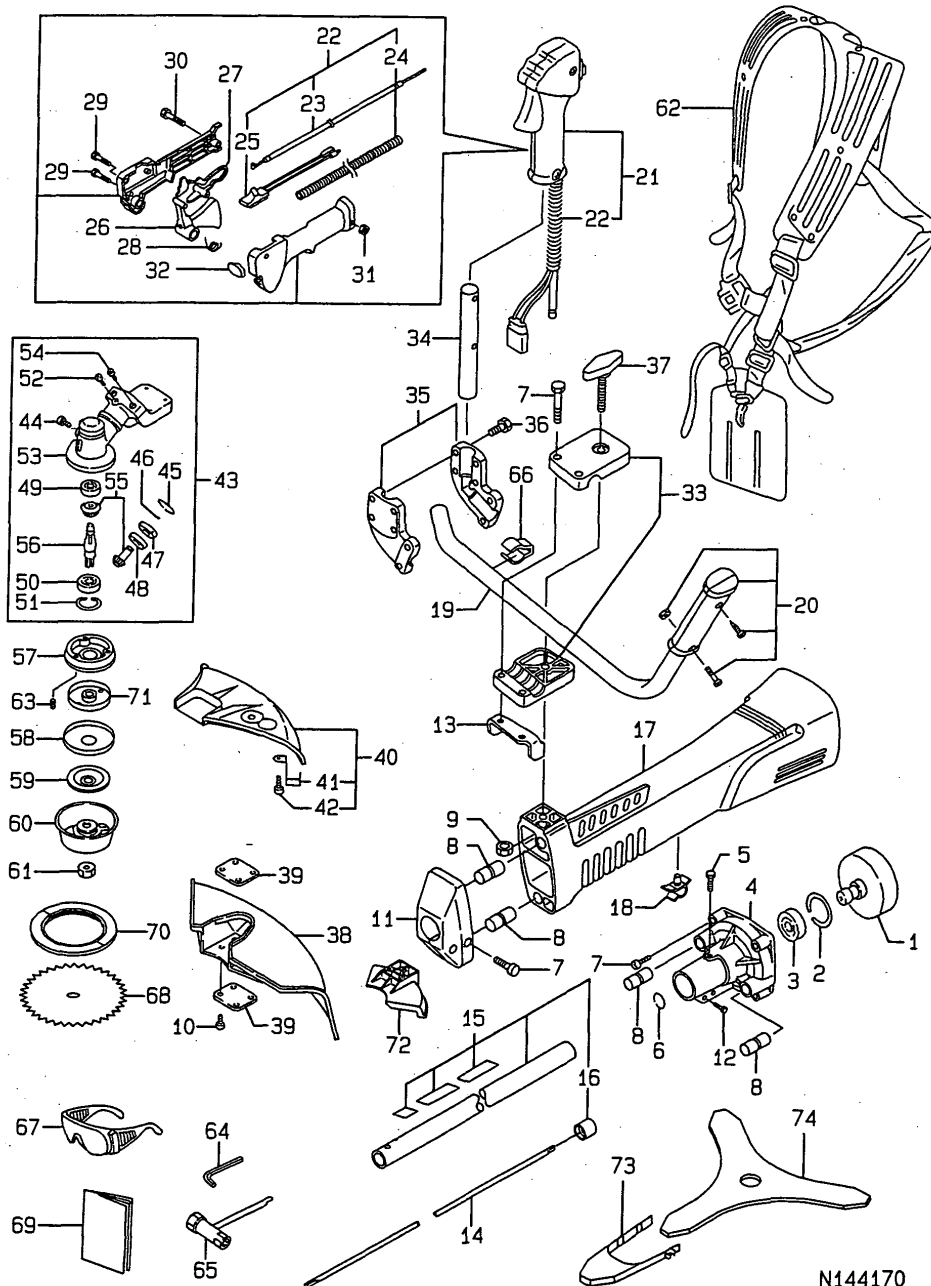
(C)=

(D)=

(E)=

(F)=

6. BRUSH CUTER (YBE455P)

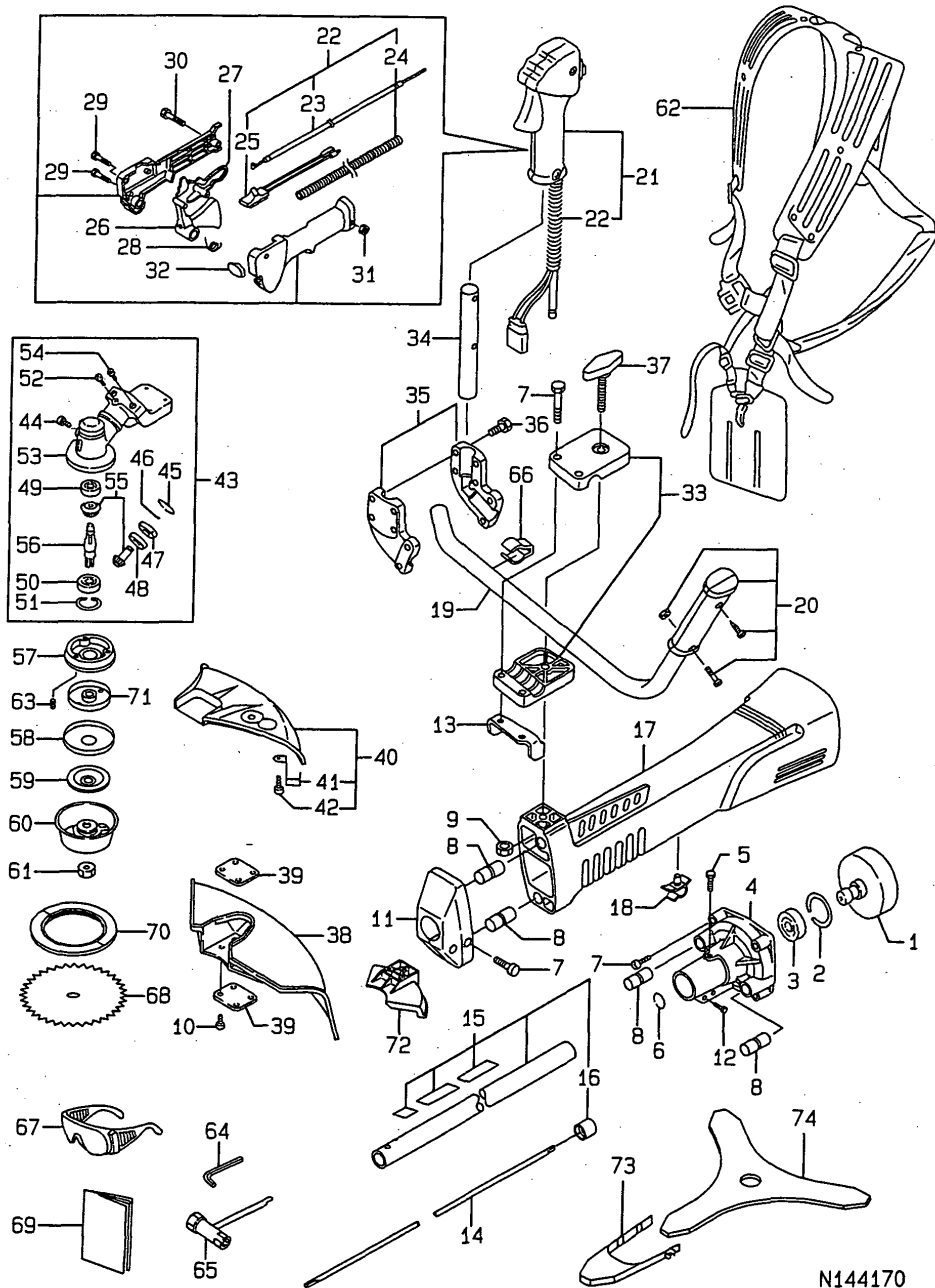


N144170

No.	Lev.	Parts No.	Description	Qty						I	R
				(A)	(B)	(C)	(D)	(E)	(F)		
1	1	1W7205-23240	DRUM,CLUTCH	1							
2	1	22252-000400	RING, 40	1							
3	1	24107-062034	BEARING, BALL 6203ZZ	1							
4	1	1W7205-13610	HOUSING,CLUTCH	1							
5	1	1W7209-73175	BOLT;M5X10	1							
6	1	22242-000170	RING, 17	1							
7	1	1W7209-73179	BOLT;M6X30	8							
8	1	1W7207-13240	RUBBER	4							
9	1	26797-080002	NUT, LOCK M8	1							
10	1	1W0107-09009	BOLT;M5X20	4							
11	1	1W7203-33980	HOLDER	1							
12	1	1W0107-09010	BOLT;M5X25	2							
13	1	1W7209-73740	STOPPER	1							
14	1	1W7201-13510	SHAFT,DRIVE	1							
15	1	1W7201-24710	PIPE COMPL	1							
16	2	1W7201-33310	METAL	5							
17	1	1W7203-83140	CASE	1							
18	1	1W1991-13200	CLAMP	2							
19	1	1W7206-13400	HANDLE	1							
20	1	1W7206-23620	GRIP ASS'Y	1							
21	1	1W1250-34200	THROTTLE LEVER	1							
22	2	1W1255-04980	WIRE,THROTTLE	1							
23	3	1W1255-05270	WIRE COMPL,THROTTLE	1							
24	3	1W1858-43147	HOSE	1							
25	3	1W1852-03320	SWITCH	1							
26	2	1W1253-23200	LEVER	1							
27	2	1W1253-23210	LEVER,STOP	1							
28	2	1W1982-13420	SPRING	1							
29	2	1W1858-43142	SCREW,4X20	4							
30	2	1W1858-43143	SCREW,M5X30	2							
31	2	1W1858-43144	NUT,M5	2							
32	2	1W1858-43146	PLUG	1							
33	1	1W7200-63390	HOLDER ASSY,HANDLE	1							
34	1	1W7206-13410	HANDLE	1							
35	1	1W7200-63350	HOLDER ASSY,HANDLE	1							
36	1	1W7209-73176	BOLT;M5X15	6							
37	1	1W7209-73731	KNOB BOLT	1							
38	1	1W7204-63460	DEFLECTOR	1							
39	1	1W7204-73180	PLATE	2							
40	1	1W7200-43501	DEFLECTOR ASSY	1							
41	2	1W7204-93060	CUTTER	1							
42	2	1W0107-09008	BOLT;M5X16	1							
43	1	1W7200-24040	CASE ASSY,GEAR	1							
44	2	1W7209-73663	BOLT;M6X8	1							
45	2	22252-000320	RING, 32	1							
46	2	1W0362-00015	SNAP RING	1							
47	2	24107-060024	BEARING, BALL 6002ZZ	1							
48	2	24101-060024	BEARING, BALL 6002	1							
49	2	24101-062004	BEARING, BALL 6200	1							
50	2	1W7209-73685	BALL BEARING 6202LL	1							
51	2	22252-000350	RING, 35	1							

Fig.6. BRUSH CUTER (YBE455P)

6. BRUSH CUTER (YBE455P)



N144170

(A)=YBE455P-CE
(B)=
(C)=

(D)=
(E)=
(F)=

No.	Lev.	Parts No.	Description	Q'ty						I	R
				(A)	(B)	(C)	(D)	(E)	(F)		
52	2	1W7209-73175	BOLT;M5X10	1							
53	2	1W7202-63700	CASE,GEAR	1							
54	2	1W7209-73184	BOLT;M6X26	2							
55	2	1W7202-73860	GEAR ASS'Y	1							
56	2	1W7202-93410	SHAFT	1							
57	1	1W7203-43840	COVER	1							
58	1	1W7203-43020	COVER(B)	1							
59	1	1W7203-33880	HOLDER	1							
60	1	1W7203-43850	COVER,NUT	1							
61	1	1W7203-73151	NUT	1							
62	1	1W7208-53540	BAND COMPL,SHOUDER	1							
63	1	1W7209-73673	BOLT;M5X8	3							
64	1	28150-040000	WRENCH, BAR 4	1							
65	1	1W7209-83371	SPANNER,BOX	1							
66	1	1W1991-13210	CLAMP	1							
67	1	1W1956-33040	GOGGLE	1							
68	1	1W1958-33570	SAW,CIRCULAR	1							
69	1	1W1008-14600	INSTRUCTION MANUAL	1							
70	1	1W7209-13130	COVER,BLADE	1							
71	1	1W7203-33870	HOLDER,BLADE	1							
72	1	1W7204-63470	DEFLECTOR	1							
73	1	1W7209-13110	COVER,BLADE	3							
74	1	1W1958-33600	SAW,3 TOOTH	1							

Parts No. Index

Parts No.	Fig. No.	Ref. No.
1W0107-09006	1	83
	3	57
	5	89
1W0107-09008	1	16
	2	54
		62
	4	42
	5	16
		41
		75
	6	42
1W0107-09009	1	86
	2	2
		15
	3	16
	4	10
	5	57
	6	10
1W0107-09010	1	44
	3	41
	4	12
	5	88
	6	12
1W0107-09011	1	9
	3	9
	5	9
1W0107-09015	1	106
	5	86
1W0107-09017	1	102
	3	75
1W0107-09018	1	22
	3	22
	5	22
1W0107-09040	1	78
	3	52
	5	52
1W0201-00005	1	84
	3	58
	5	58
1W0305-00512	1	8
	3	8
	5	8
1W0343-09031	1	19
	3	19
	5	19
1W0362-00015	4	46
	6	46
1W0368-00004	1	55
1W0401-16000	2	7
1W0427-09006	1	12

Parts No.	Fig. No.	Ref. No.
1W0427-09006	3	12
	5	12
1W0502-09077	1	4
		7
		4
	3	4
		7
	5	4
		7
1W0682-09128	1	97
	3	69
	5	69
1W0682-09150	1	96
	3	70
	5	70
1W0682-09174	1	100
	3	73
	5	73
1W1008-14092	2	67
1W1008-14600	4	69
	6	69
1W1100-35211	1	2
	3	2
	5	2
1W1100-35221	1	5
	3	5
	5	5
1W1102-13571	5	15
1W1102-13612	1	15
1W1102-13660	3	15
1W1109-93430	1	110
	5	81
1W1109-93440	3	81
1W1110-53010	3	82
	5	82
1W1119-93030	3	83
	5	83
1W1150-13330	1	10
	5	10
1W1150-13370	3	10
1W1151-15700	1	11
	5	11
1W1151-15720	3	11
1W1152-53481	1	1
	3	1
	5	1
1W1153-23030	1	13
	5	13
1W1153-23140	3	13
1W1250-34200	6	21
1W1250-34280	2	69

Parts No.	Fig. No.	Ref. No.
1W1250-34390	4	21
1W1253-23200	4	26
	6	26
1W1253-23210	2	75
	4	27
	6	27
1W1253-23220	2	74
1W1255-04970	5	26
1W1255-04980	6	22
1W1255-05060	1	26
1W1255-05150	2	70
1W1255-05270	6	23
1W1255-05290	2	71
1W1255-05400	4	22
1W1255-05420	4	23
1W1255-43090	1	105
	5	85
1W1256-83061	1	109
	5	84
1W1301-04311	1	46
	5	43
1W1301-04480	3	43
1W1301-23350	1	48
	3	45
	5	45
1W1301-53210	1	47
	3	44
	5	44
1W1301-73230	1	73
1W1301-83210	1	58
1W1301-83240	1	66
1W1301-83250	1	67
1W1301-83440	1	61
1W1301-83490	1	62
1W1301-93390	1	69
1W1301-93400	1	70
1W1302-13460	1	63
1W1302-13470	1	71
1W1302-13500	1	56
1W1302-73430	1	57
1W1302-83294	1	75
1W1302-83296	1	64
1W1302-83298	1	68
1W1302-83299	1	72
1W1302-83318	1	65
1W1302-83355	1	53
1W1302-83356	1	54
1W1302-83357	1	49
	3	46
	5	46

Parts No.	Fig. No.	Ref. No.
1W1302-83359	1	74
1W1303-03290	1	94
	3	67
	5	67
1W1305-13409	1	50
	3	47
	5	47
1W1305-13412	1	60
1W1305-13413	1	51
	3	48
	5	48
1W1305-13414	1	59
1W1352-63370	1	80
1W1352-63380	1	79
1W1352-63440	3	53
	5	53
1W1354-03563	5	61
1W1354-03572	1	88
1W1354-03710	3	61
1W1354-33640	1	89
	3	62
	5	62
1W1357-13373	1	77
	3	51
	5	51
1W1357-13393	1	81
	5	54
1W1357-13520	3	54
1W1359-93430	1	76
	3	50
	5	50
1W1359-94030	1	41
	5	38
1W1359-94040	1	45
	3	42
	5	42
1W1359-94050	1	87
	5	60
1W1359-94290	3	38
1W1359-94300	3	60
1W1500-53340	1	18
	3	18
	5	18
1W1501-03490	1	17
	5	17
1W1501-03530	3	17
1W1502-63091	3	25
	5	25
1W1502-65091	1	25
1W1504-13033	1	24

Parts No. Index

Parts No.	Fig. No.	Ref. No.
1W1504-13033	3	24
	5	24
1W1551-03481	1	31
	3	31
	5	31
1W1551-63081	1	39
	3	37
	5	37
1W1551-83140	1	35
1W1552-13141	1	33
	3	33
	5	33
1W1552-23050	1	32
	3	32
	5	32
1W1552-63280	1	34
	3	34
	5	34
1W1552-63300	1	40
1W1553-43070	1	36
1W1553-53101	1	38
	3	36
	5	36
1W1600-33210	1	91
	3	64
	5	64
1W1600-43120	1	99
	3	72
	5	72
1W1601-03260	1	90
1W1601-03310	5	63
1W1601-03340	3	63
1W1601-73030	1	93
	3	65
	5	65
1W1609-73050	3	85
1W1609-93100	1	92
	3	66
	5	66
1W1700-33241	1	27
	3	27
	5	27
1W1751-14311	3	56
	5	56
1W1751-14351	1	111
1W1751-53700	5	59
1W1751-53720	1	85
1W1751-54040	3	59
1W1759-73390	3	76
	5	76

Parts No.	Fig. No.	Ref. No.
1W1852-03320	6	25
1W1852-03340	2	73
1W1852-03400	4	25
1W1856-03420	3	26
1W1858-43141	2	72
1W1858-43142	2	77
	4	29
	6	29
1W1858-43143	2	78
	4	30
	6	30
1W1858-43144	2	79
	4	31
	6	31
1W1858-43146	2	80
	4	32
	6	32
1W1858-43147	6	24
1W1858-43151	4	24
1W1902-83990	1	103
1W1902-85110	5	77
1W1902-85170	3	77
1W1903-33250	1	104
	3	78
	5	78
1W1904-63470	3	87
	5	87
1W1956-33040	2	66
	4	67
	6	67
1W1958-33150	2	68
1W1958-33570	4	68
	6	68
1W1958-33600	4	74
	6	74
1W1981-13560	1	101
	3	74
	5	74
1W1981-13730	1	98
	3	71
	5	71
1W1981-13900	1	52
	3	49
	5	49
1W1982-13300	1	23
	3	23
	5	23
1W1982-13420	2	76
	4	28
	6	28

Parts No.	Fig. No.	Ref. No.
1W1983-43040	1	14
	3	14
	5	14
1W1983-43060	1	107
	3	79
	5	79
1W1983-43181	1	95
	3	68
	5	68
1W1984-83100	1	108
	3	80
	5	80
1W1991-13060	3	84
1W1991-13200	4	18
	6	18
1W1991-13210	4	66
	6	66
1W1992-13071	1	28
	3	28
	5	28
1W1992-13180	1	29
	3	29
	5	29
1W1992-33490	3	86
1W1994-33082	1	30
	3	30
	5	30
1W1994-33090	1	82
	3	55
	5	55
1W1995-13451	1	21
	3	21
	5	21
1W1995-13520	1	42
	3	39
	5	39
1W3981-10100	2	57
1W7200-23940	2	1
1W7200-24040	4	43
	6	43
1W7200-43501	2	60
	4	40
	6	40
1W7200-53740	2	42
1W7200-63350	4	35
	6	35
1W7200-63390	4	33
	6	33
1W7201-13490	2	29
1W7201-13510	4	14

Parts No.	Fig. No.	Ref. No.
1W7201-13510	6	14
1W7201-13600	2	21
1W7201-24400	2	22
1W7201-24710	4	15
	6	15
1W7201-33061	2	23
1W7201-33310	4	16
	6	16
1W7201-63070	2	48
1W7202-43030	2	45
1W7202-63670	2	11
1W7202-63700	4	53
	6	53
1W7202-73160	2	12
1W7202-73860	4	55
	6	55
1W7202-93370	2	13
1W7202-93410	4	56
	6	56
1W7203-33610	2	18
1W7203-33630	2	16
1W7203-33870	4	71
	6	71
1W7203-33880	4	59
	6	59
1W7203-33980	4	11
	6	11
1W7203-43020	4	58
	6	58
1W7203-43780	2	19
1W7203-43810	2	27
1W7203-43840	4	57
	6	57
1W7203-43850	6	60
1W7203-43890	2	17
1W7203-43940	4	60
1W7203-73151	4	61
	6	61
1W7203-83120	2	24
1W7203-83140	6	17
1W7203-83190	4	17
1W7204-23100	2	40
1W7204-63460	2	58
	4	38
	6	38
1W7204-63470	4	72
	6	72
1W7204-73180	2	59
	4	39
	6	39

Parts No. Index

Parts No.	Fig. No.	Ref. No.
1W7204-73740	2	55
1W7204-73810	2	52
1W7204-73820	2	53
1W7204-93060	2	61
	4	41
	6	41
1W7205-13560	2	37
1W7205-13610	4	4
	6	4
1W7205-23240	4	1
	6	1
1W7205-23260	2	33
1W7206-13320	2	44
1W7206-13400	4	19
	6	19
1W7206-13410	4	34
	6	34
1W7206-23620	4	20
	6	20
1W7207-03030	2	51
1W7207-13240	4	8
	6	8
1W7207-23240	2	32
1W7208-53540	4	62
	6	62
1W7208-53600	2	56
1W7208-70130	2	46
1W7208-80110	2	28
1W7208-90130	2	30
1W7209-13053	2	65
1W7209-13110	4	73
	6	73
1W7209-13130	4	70
	6	70
1W7209-73175	2	3
		14
	4	5
		52
	6	5
		52
1W7209-73176	4	36
	6	36
1W7209-73179	4	7
	6	7
1W7209-73183	2	38
		43
1W7209-73184	4	54
	6	54
1W7209-73643	2	49
1W7209-73663	2	4

Parts No.	Fig. No.	Ref. No.
1W7209-73663	4	44
	6	44
1W7209-73673	2	26
	4	63
	6	63
1W7209-73685	4	50
	6	50
1W7209-73691	2	47
1W7209-73698	2	31
1W7209-73715	2	20
1W7209-73728	2	25
1W7209-73731	4	37
	6	37
1W7209-73732	2	39
1W7209-73740	4	13
	6	13
1W7209-83371	2	63
	4	65
	6	65
22137-050000	1	43
	3	40
	5	40
22242-000100	2	6
22242-000150	2	36
22242-000170	4	6
	6	6
22252-000260	2	5
22252-000280	2	10
22252-000320	4	45
	6	45
22252-000350	2	34
	4	51
	6	51
22252-000400	4	2
	6	2
22272-000040	2	41
24101-060004	2	8
24101-060024	4	48
	6	48
24101-062004	4	49
	6	49
24101-062024	1	3
		6
	3	3
		6
	5	3
		6
24104-060014	2	9
24107-060024	4	47
	6	47

Parts No.	Fig. No.	Ref. No.
24107-062024	2	35
24107-062034	4	3
	6	3
26367-060002	2	50
26377-100002	1	20
	3	20
	5	20
26797-080002	1	37
	3	35
	4	9
	5	35
	6	9
28150-040000	2	64
	4	64
	6	64

Parts No.	Fig. No.	Ref. No.
-----------	----------	----------